



Electrolux
PROFESSIONAL

**Modular Cooking Range Line
Pasta Cooker, gas, 10.5gal**

ITEM # _____
 MODEL # _____
 NAME # _____
 SIS # _____
 AIA # _____

Electrolux
PROFESSIONAL



391201 (E9PCGD1MF2) Pasta Cooker, gas, Single 10.5 gallon (40 Lt) tank, 66lb/hour capacity each, automatic starch removal, automatic low water level control, 9 position energy control, 316 stainless steel tank, stainless steel cabinet & legs, 53,000 BTU

Short Form Specification

Item No. _____

Pasta Cooker, gas, Single 10.5 gallon (40 Lt) tank, 66lb/hour capacity each, automatic starch removal, automatic low water level control, 9 position energy control, 316 stainless steel tank, stainless steel cabinet & legs, 53,000 BTU

Main Features

- In addition to cooking pasta, the appliance can be used for noodles of every kind, rice, dumplings and vegetables.
- High efficiency 16.5 kW burners in stainless steel with flame failure device and power settings for each well, located below the well.
- Water basin in 316-L type Stainless steel.
- Water basin is seamlessly welded into the top of the appliance.
- Provided with integrated drip zone on which baskets can be placed for draining purposes.
- 10.5gal (40 liters) water basin.
- Automatic starch removal function during cooking: improved water quality over time.
- Automatic low-water level shut-off: no accidental over-heating.
- Easy-to-use control panel with gas cock and piezo ignition.
- All major compartments located in front of unit for ease of maintenance.
- Continuous water filling regulated through a manual water tap.
- Large drain with manual ball-valve for fast emptying of well.
- Thermocouple device for added safety.
- IPX5 water resistance certification.
- The special design of the control knob system guarantees against water infiltration.
- One piece pressed 0.07" (2mm) work top in Stainless Steel.
- Unit delivered with four 2" (50mm) legs in stainless steel as standard (all round Stainless steel kick plates as option).

Construction

- All exterior panels in Stainless Steel with Scotch Brite finishing.
- Model has right-angled side edges to allow flush fitting joints between units, eliminating gaps and possible dirt traps.

Included Accessories

- 1 of Door for open base cupboard PNC 206350

Optional Accessories

- Junction sealing kit PNC 206086
- Air-draft diverter, 4 23/32" diam. PNC 206126
- Matching ring for flue condenser, 4 23/32" diam. PNC 206127
- Kit 4 wheels - 2 swiveling with brake PNC 206135

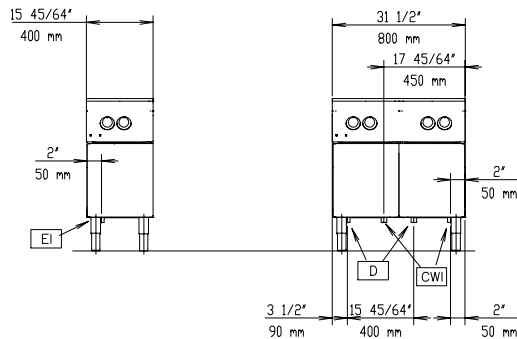
APPROVAL: _____

Modular Cooking Range Line
Pasta Cooker, gas, 10.5gal

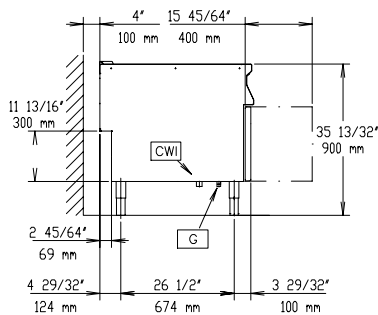


- | | | | | | |
|---|------------|--------------------------|---|------------|--------------------------|
| • Flanged feet kit | PNC 206136 | <input type="checkbox"/> | • Set of three baskets (11" x 6") for 10.5 gallon (40 Lt) pasta cooker | PNC 927210 | <input type="checkbox"/> |
| • Frontal kicking strip for concrete installation, 15 3/4" wide | PNC 206147 | <input type="checkbox"/> | • Pair of baskets (11" x 9") for 10.5 gallon (40 Lt) pasta cooker | PNC 927211 | <input type="checkbox"/> |
| • Frontal kicking strip for concrete installation 800 mm | PNC 206148 | <input type="checkbox"/> | • Set of three portion baskets for 10.5 gallon (40 Lt) pasta cooker - round (requires support for baskets PNC 927219) | PNC 927212 | <input type="checkbox"/> |
| • Frontal kicking strip for concrete installation, 39 3/8" wide | PNC 206150 | <input type="checkbox"/> | • Set of six single-portion baskets for 10.5 gallon (40 Lt) pasta cooker - round - requires support rack (PNC 927219 or 960644) | PNC 927213 | <input type="checkbox"/> |
| • Frontal kicking strip for concrete installation, 47 1/4" wide | PNC 206151 | <input type="checkbox"/> | • Basket (11" x 18") for 10.5 gallon (40 Lt) pasta cooker | PNC 927216 | <input type="checkbox"/> |
| • Frontal kicking strip for concrete installation, 63" wide | PNC 206152 | <input type="checkbox"/> | • Support for 10.5 gallon (40 Lt) pasta cooker round basket | PNC 927219 | <input type="checkbox"/> |
| • Frontal kicking strip, 15 3/4" wide | PNC 206175 | <input type="checkbox"/> | • Top support for set of six pasta cooker round baskets. An alternative to 927219 when set of six round baskets used | PNC 960644 | <input type="checkbox"/> |
| • Frontal kicking strip, 31 1/2" wide | PNC 206176 | <input type="checkbox"/> | | | |
| • Frontal kicking strip, 39 3/8" wide | PNC 206177 | <input type="checkbox"/> | | | |
| • Frontal kicking strip, 47 1/4" wide | PNC 206178 | <input type="checkbox"/> | | | |
| • Frontal kicking strip, 63" wide | PNC 206179 | <input type="checkbox"/> | | | |
| • Lid and lid holder for 10.5 gallon (40 Lt) pasta cooker | PNC 206190 | <input type="checkbox"/> | | | |
| • Set of three ergonomic baskets for 10.5 gallon (40 Lt) pasta cooker. To be used with support PNC 206238 | PNC 206233 | <input type="checkbox"/> | | | |
| • Single ergonomic basket for 10.5 gallon (40 Lt) pasta cooker. To be used with support PNC 206238 | PNC 206237 | <input type="checkbox"/> | | | |
| • Support for 10.5 gallon (40 Lt) pasta cooker square baskets | PNC 206238 | <input type="checkbox"/> | | | |
| • Chimney upstand, 16" (400mm) | PNC 206303 | <input type="checkbox"/> | | | |
| • Flue condenser for 1/2 module, 120 mm diameter | PNC 206310 | <input type="checkbox"/> | | | |
| • Energy saving device for pasta cookers | PNC 206344 | <input type="checkbox"/> | | | |
| • Door for open base cupboard | PNC 206350 | <input type="checkbox"/> | | | |
| • Base support assembly 32" (800 mm) for wheels for pasta cookers. To be used with PNC 206135. | PNC 206367 | <input type="checkbox"/> | | | |
| • Base Support Assembly, 48" (1200mm) wide, for feet/wheels | PNC 206368 | <input type="checkbox"/> | | | |
| • Base Support Assembly, 64" (1600mm) wide, for feet/wheels | PNC 206369 | <input type="checkbox"/> | | | |
| • Base Support Assembly, 80" (2000mm) wide, for feet/wheels | PNC 206370 | <input type="checkbox"/> | | | |
| • Rear paneling - 600mm | PNC 206373 | <input type="checkbox"/> | | | |
| • Rear paneling - 800mm | PNC 206374 | <input type="checkbox"/> | | | |
| • Rear paneling - 1000mm | PNC 206375 | <input type="checkbox"/> | | | |
| • Rear paneling - 1200mm | PNC 206376 | <input type="checkbox"/> | | | |
| • CHIMNEY GRID NET, 400MM-700&900LINE | PNC 206400 | <input type="checkbox"/> | | | |
| • 2 square baskets, left and right, for 10.5 gallon pasta cooker. 6 baskets can be fitted in 900 pasta cooker. To be used with support PNC 206238 | PNC 206433 | <input type="checkbox"/> | | | |
| • Side handrail-right/left hand | PNC 216044 | <input type="checkbox"/> | | | |
| • FRONTAL HANDRAIL 400 MM | PNC 216046 | <input type="checkbox"/> | | | |
| • FRONTAL HANDRAIL 800 MM | PNC 216047 | <input type="checkbox"/> | | | |
| • FRONTAL HANDRAIL 1200 MM | PNC 216049 | <input type="checkbox"/> | | | |
| • FRONTAL HANDRAIL 1600 MM | PNC 216050 | <input type="checkbox"/> | | | |
| • 2 side covering panels for free standing appliances | PNC 216134 | <input type="checkbox"/> | | | |
| • Large handrail - portioning shelf, W=15 3/4" | PNC 216185 | <input type="checkbox"/> | | | |
| • Large handrail - portioning shelf, W=31 1/2" | PNC 216186 | <input type="checkbox"/> | | | |

Front

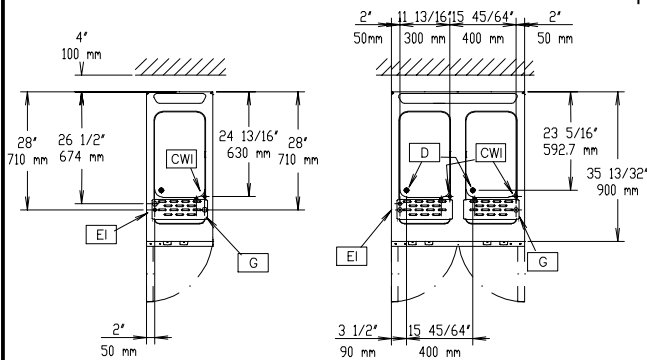


Side



D = Drain **WI = Water inlet**
EI = Electrical connection
EQ = Equipotential screw
G = Gas connection

Top


Electric
Supply voltage:
391201 (E9PCGD1MF2) 208/120 V/1 ph/60 Hz

Convertible to: 120V/1Ph/60Hz

Rated Amps:

0.15A (0.3A/120V)

Total Watts:

0 kW

Gas
Gas Power:

15.5 kW

Gas Type Option:

LPG; Natural Gas

Gas Inlet:

3/4"

Natural gas - Pressure:

4" w.c. (10 mbar)

LPG Gas Pressure:

10" w.c. (25 mbar)

Water:
Drain "D":

1"

Incoming Cold/hot Water
line size:

3/4"

Total hardness:

5-50 ppm

Electrolux Professional recommends the use of treated water, based on testing of specific water conditions.

Please refer to user manual for detailed water quality information.

Key Information:
Usable well dimensions
(width):

11 13/16" (300 mm)

Usable well dimensions
(depth):

20 1/2" (520 mm)

Usable well dimensions
(height):

10 1/4" (260 mm)

 8.45 gal (32 liters) MIN;
 10.57 gal (40 liters) MAX

Well capacity:
Well Capacity (MAX):

10.57 gal (40 litres) MAX

External dimensions, Width:

15 3/4" (400 mm)

External dimensions, Depth:

35 7/16" (900 mm)

External dimensions, Height:

33 7/16" (850 mm)

Net weight:

137 lbs (62 kg)

Shipping width:

18 1/8" (460 mm)

Shipping depth:

40 3/16" (1020 mm)

Shipping height:

42 1/2" (1080 mm)

Shipping weight:

148 lbs (67 kg)

Shipping volume:

 17.89 ft³ (0.51 m³)

Certification group:

If appliance is set up or next to or against temperature sensitive furniture or similar, a safety gap of approximately 150 mm should be maintained or some form of heat insulation fitted.